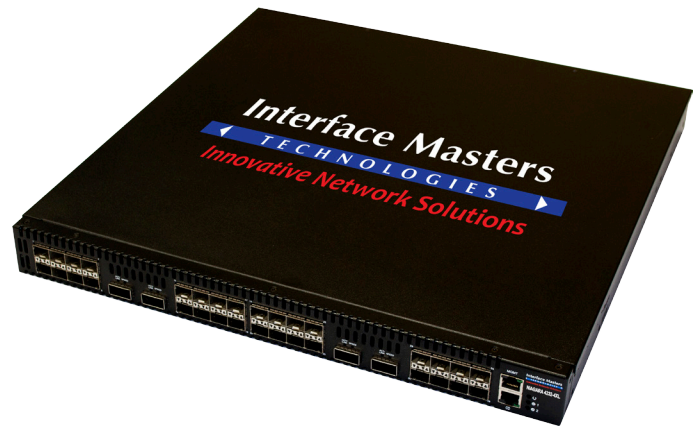


Overview

The Niagara 4232-4XL is a 4 Port 40 Gigabit, 32 Port 10 Gigabit Hardware Packet Master for network analysis and monitoring applications. The Packet Master has flexible and extensive configuration options which enable it to be tailored to customize the way traffic is managed. The system can support L2-L4 packets, IPv6 and IPv4 traffic, MPLS packets and provides the ability to customize keys for distribution. The 4 Ports supports 40G QSFP media while the 32 ports support 1 gigabit or 10 Gigabit Ethernet with SFP and SFP+ support including multi mode, single mode and extended mode fiber. The Packet Master provides sophisticated features for flexible traffic management including mirroring to multiple ports, aggregation of multiple ports to a single port, and an extensive filtering engine. There are several session based load balancing methodologies supported which enable traffic to be distributed according to any configured output of ports and the distributing keys can be defined as follows:

- VLAN ID
- IP-Src, IP-Dst
- MAC-Src, MAC-Dst
- TCP-Port
- UDP-Port
- User Defined Byte (UDB) - the key for distribution is configurable



Key Features

- 4 Ports of 40G QSFP
- 32 Ports of 10G SFP+ Packet Master Ports for flexible 10G or 1G configuration
- Load balancing according to multiple key definitions
- MPLS, Q in Q support
- Session aware load balancing
- User defined bytes for filtering
- Port failover mechanism
- Counters for ingress and egress traffic
- RMON statistics
- TACACS+ for centralized authentication
- Syslog for events logging
- SNMP management and reporting
- CLI and Web-based management and configuration
- Mirroring of one to many and any to any
- Secure logging and secure management
- Support for a total of 2000 filtering and redirection rules

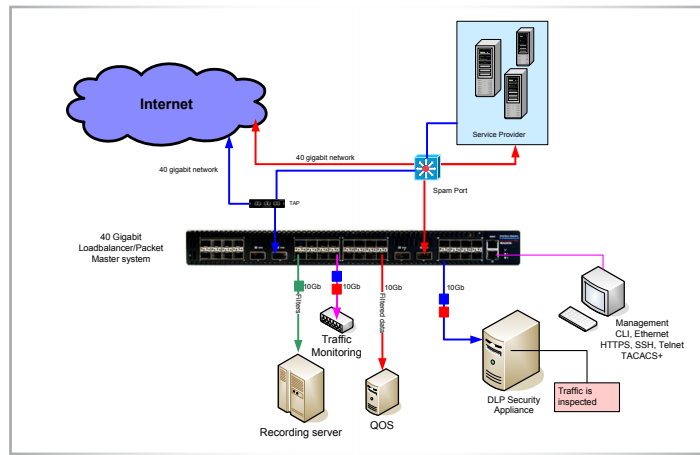
System Characteristics

- Max system throughput 960 Gbps
- Support for QSFP and SFP and SFP+ (SR, LR, ER, SX, LX, TX)
- LC connectors
- Low power – 200 WATTS
- 1U chassis
- Serial console and Ethernet management port

Specifications

- Storage Temperature: -10°C to 70°C
- Relative Humidity: 5% min, 95% max, non-condensing

4232-4XL Diagram



Ordering Part Numbers

Part Number	Description
Niagara 4208-2XL-NO SFP	2 40Gb ports and 8 10GE port Network Packet Broker/PacketMaster - No SFP+
Niagara 4216-2XL-NO SFP	2 40Gb ports and 16 10GE port Network Packet Broker/PacketMaster - No SFP+
Niagara 4224-4XL-NO SFP	4 40Gb ports and 24 10GE port Network Packet Broker/PacketMaster - No SFP+
Niagara 4232-4XL-NO SFP	4 40Gb ports and 32 10GE port Network Packet Broker/PacketMaster - No SFP+

Environmental

Operating Temperature	0 to 55 °C or 32 to 131 °F
Operating Humidity	5 to 95%
Maximum Power Consumption	156.7 Watts
Airflow	100 lf/m

Dimensions

	mm	inches
Length	440.182	17.33
Width	440.182	17.33
Height	44.45	1.75

Product Line

- Network Interface Cards with Bypass
- Network Interface Cards without Bypass
- External Bypass Products
- SSL/IPSec Cards
- Embedded Switches
- Embedded Platforms
- Development Tools
- TAP Systems

About Interface Masters Technologies, Inc.

[Interface Masters Technologies](#) is a leading vendor in the network monitoring and high speed networking markets. Based in the heart of the Silicon Valley, Interface Masters' expertise lies in Gigabit, 10 Gigabit and 40 Gigabit Ethernet network access and network connectivity solutions that integrate with monitoring systems, inline networking appliances, IPS, UTM, Load Balancing, WAN acceleration, and other mission-critical IT and security appliances.

Flagship product lines include [hardware load-balancers](#), [specialized 10GE internal server adapter cards](#), switches, [10 Gigabit external intelligent Network TAP](#) and [Bypass](#) and [failover](#) systems that increase network visibility capabilities, network reliability and inline appliance availability.

Company Headquarters is located in San Jose, CA with satellite offices in Hong Kong and Europe.



Contact Interface Masters

150 East Brokaw Rd, San Jose, CA 95112
 Phone: 408-441-9341 x122
 Fax: 815-364-0888
 Email: sales@interfacemasters.com
 Web: www.interfacemasters.com

Interface Masters

TECHNOLOGIES

Innovative Network Solutions