

SO-SFP-1000Base-BX34

1.25 Gb/s bi-directional 1310/1490 SFP transceiver family

INTRODUCTION

The SO-SFP-1000Base-BX34 transceivers are fully compliant with the latest industrial SFP Multi-Source Agreement (MSA) and IEEE 802.3ah for Gigabit Ethernet 1000Base-BX. They support data rate at 1.25 Gbps and are suitable for Gigabit Ethernet applications. The transceivers operate bi-directionally on single fiber at wavelengths of 1310 nm and 1490 nm. The modules are hot pluggable and come in three variants for 10 km, 20 km and 40 km transmission on SM fiber.

APPLICATIONS

- Gigabit Ethernet
- FTTx

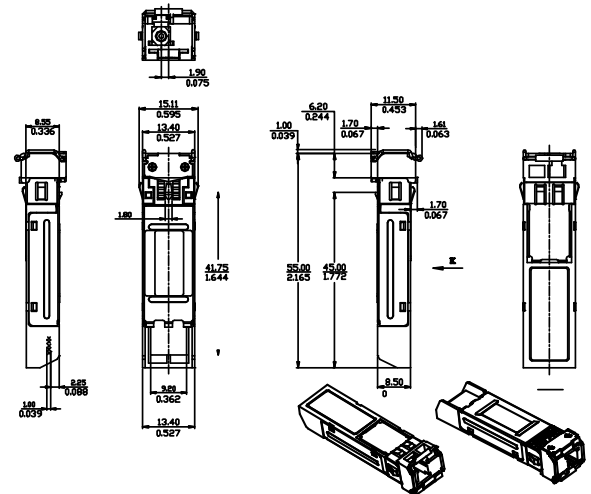
FEATURES

- Up to 10 km, 20 km or 40 km transmission on SM fiber
- 1310nm/1490nm operation
- compliant to SFP MSA and SFF-8472
- Digital Diagnostics Monitoring
- Hot-Pluggable SFP footprint
- Optical LC interface for bi-directional operation
- Operating temperature 0°C to 70°C

LASER SAFETY

This singlemode transceiver is a Class 1 laser product. It complies with IEC-60825 and FDA 21 CFR 1040.10 and 1040.11. The transceiver must be operated within the specified temperature and voltage limits. The optical port of the module needs to be terminated with an optical connector or with a dust plug.

BI-DIRECTIONAL TRANSCEIVER



Specification subject to change without notice.

Optical Parameters:

Part no.\Parameter	Wavelength [nm]	Opt. Output Power [dBm]	Opt. Receiver Sensitivity [dBm]	Power Budget [dB]
SO-SFP-1000Base-BX10-34	1310Tx/1490Rx	-10 to -5	-23 to -8	13
SO-SFP-1000Base-BX10-43	1490Tx/1310Rx	-10 to -5	-23 to -8	13
SO-SFP-1000Base-BX20-34	1310Tx/1490Rx	-8 to -3	-23 to -3	15
SO-SFP-1000Base-BX20-43	1490Tx/1310Rx	-8 to -3	-23 to -3	15
SO-SFP-1000Base-BX40-34	1310Tx/1490Rx	-3 to +2	-25 to -3	22
SO-SFP-1000Base-BX40-43	1490Tx/1310Rx	-3 to +2	-25 to -3	22

Ordering Information:

Part no:	Description/Application
SO-SFP-1000Base-BX10-34	operates on SM single fiber spans up to 10 km. In a link a SO-SFP-1000Base-BX10-34 transceiver must match a SO-SFP-1000Base-BX10-43 transceiver.
SO-SFP-1000Base-BX10-43	
SO-SFP-1000Base-BX20-34	operates on SM single fiber spans up to 20 km. In a link a SO-SFP-1000Base-BX20-34 transceiver must match a SO-SFP-1000Base-BX20-43 transceiver.
SO-SFP-1000Base-BX20-43	
SO-SFP-1000Base-BX40-34	operates on SM single fiber spans up to 40 km. In a link a SO-SFP-1000Base-BX40-34 transceiver must match a SO-SFP-1000Base-BX40-43 transceiver.
SO-SFP-1000Base-BX40-43	