

SO-SFP-100Base-BX-34/43

100 Mb/s Fast Ethernet bi-directional SFP transceiver family

INTRODUCTION

The SO-SFP-100Base-BX-34/43 are fully compliant with the latest industrial SFP Multi-Source Agreement (MSA) and ITU-T G.985 (class S). They support data rates in a wide range of 100 ~ 155.52 Mbps and can be used in datacom or FTTx applications. The transceivers operate bi-directionally for single fiber operation; are hot pluggable and can transmit over 10 km of SM fiber.

APPLICATIONS

- single fiber options 1310/1490 nm
- 100Base Ethernet
- FTTx

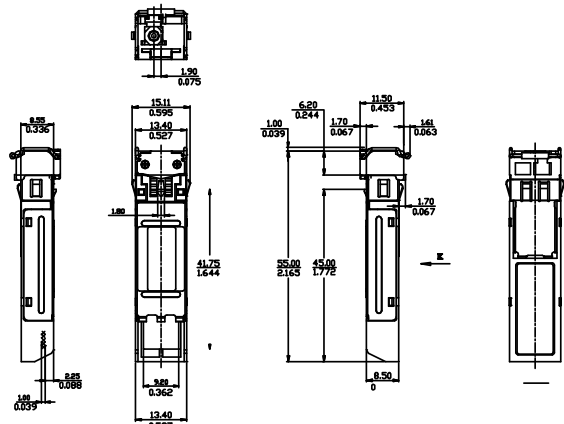
FEATURES

- Up to 40 km transmission on SM fiber
- Hot-Pluggable SFP footprint
- LC optical interface
- compliant to SFP MSA and SFF-8472
- Digital Diagnostics Monitoring
- Industrial operating temperature -40 °C to 85 °C

LASER SAFETY

This singlemode transceiver is a Class 1 laser product. It complies with IEC-60825 and FDA 21 CFR 1040.10 and 1040.11. The transceiver must be operated within the specified temperature and voltage limits. The optical ports of the module shall be terminated with an optical connector or with a dust plug.

BI-DIRECTIONAL TRANSCEIVER



Specification subject to change without notice.

Optical Parameters:

Part no.\Parameter	Wavelength [nm]	Opt. Output Power [dBm]	Opt. Receiver Sensitivity [dBm]	Power Budget [dB]
SO-SFP-100Base-BX20-34	1310	-14 to -8	-29 to -8	15
SO-SFP-100Base-BX20-43	1490	-14 to -8	-29 to -8	15
SO-SFP-100Base-BX40-34	1310	-10 to -3	-30 to -8	20
SO-SFP-100Base-BX40-43	1490	-10 to -3	-30 to -8	20

Ordering Information:

Part no:	Description/Application
SO-SFP-100Base-BX20-34	operates on SM single fiber spans up to 20 km. In a link a SO-SFP-100Base-BX20-34 transceiver must match a SO-SFP-100Base-BX20-43 transceiver.
SO-SFP-100Base-BX20-43	
SO-SFP-100Base-BX40-34	operates on SM single fiber spans up to 40 km. In a link a SO-SFP-100Base-BX40-34 transceiver must match a SO-SFP-100Base-BX40-43 transceiver.
SO-SFP-100Base-BX40-43	