

Connect network segments running different fiber types using interchangeable SFP modules.



Features and Benefits

Cost-effective and flexible

- Interchangeable SFP modules allow for multiple fiber mode/type conversion options (single-mode, multi-mode, long haul, short haul, etc.)
- Extended operating temperatures
- Multiple mounting options (Desktop, DIN Rail, IE-PowerTray/18 [for high-density installations])
- Compact size conserves space
- AC or DC powering options
- Ideal for use with IMC Networks' SFPs

Protocol-Independent

- Supports a full range of fiber SFP Modules in various transmission speeds, from 10 Mbps up to 2.4 Gbps*

Maximizes network uptime

- SFP Modules are hot-swappable; no need to power-down chassis when upgrading or troubleshooting a single module

Troubleshooting features:

- Diagnostic LEDs

* Certified at 1.25 Gbps, 2.4 Gbps is achievable

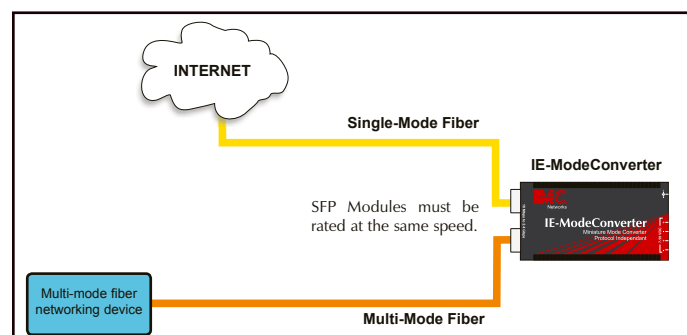
Mode converters allow network operators to incorporate multiple fiber types within a network. The IE-ModeConverter provides the ability to accomplish this by working with existing equipment and thus, eliminating replacement costs. With the flexibility to convert fiber between single-mode, multi-mode, single-strand and various wavelengths, one can easily extend network range to reach more remote locations. Additionally, since the IE-ModeConverter is an Industrial Equipment device (IE), the unit operates in environments that demand extended operating temperatures.

The IE-ModeConverter uses SFP modules to provide greater fiber flexibility in the network environment. The hot-swappable nature of the SFPs and the numerous fiber modes and types available allow for easy configuration and future upgrading as network demands evolve.

The IE-ModeConverter requires two fiber optic SFP modules to operate. The SFP modules must be MSA compliant and support the same speed range. The IE-ModeConverter operates as a mode converter only and not as a rate or media converter.

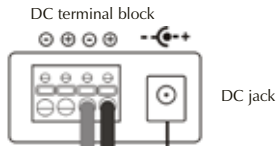
Technical Specifications

In this example, the IE-ModeConverter converts a local multi-mode fiber signal to a single-mode fiber signal to integrate into an area of the network that supports this type of fiber. The IE-ModeConverter has been equipped with a multi-mode fiber SFP and a single-mode fiber SFP.



Technical Specifications

- Two SFP ports
- Protocol-independent operation
- Converts between dissimilar fiber modes and wavelengths
- Includes diagnostic LEDs
- Hot-swappable architecture
- Small Form Factor
- 7 V DC to 50 V DC terminal block powering option
- Supports an external 5 V DC power module (not extended temperature)
- Extended temperature range from -35° to +70° C
- Compatible with IMC Networks SFPs and all standard MSA compliant SFP transceivers
- Supports DIN Rail mounting
- DC terminal block has dual inputs and supports cascading power



Back view of IE-ModeConverter and power options.

Regulatory Approvals:

FCC Class A
UL/cUL, CSA, CE

Standards Compliance:

SFP-MSA SFP standard (September 14, 2000)
SFF-8472 DDMI standard (Revision 1.0)

Shipping Weight:

0.25 lbs (0.11 kg)

Dimensions:

0.83"H x 1.80"W x 3.35"D (2.11 x 4.57 x 8.51 cm)

Operating Temperature:

-31° to +158° F (-35° to +70° C)

Storage Temperature:

-49° to +185° F (-45° to +85° C)

AC Wall Adapter:

100/240 ±10% V AC input, 5V DC output @ 10 watts

DC Input Voltage:

7 to 50 V DC@2.5 watts chassis grounded to negative terminal

Power:

Maximum 3.3W of combined power to both SFPs

Ordering Information

PART NUMBER	DESCRIPTION
IE-ModeConverter*	
855-19619	IE-ModeConverter, SFP/SFP (w/ AC power adapter)
854-19619	IE-ModeConverter Module, SFP/SFP (DC power, No AC adapter)

PART NUMBER	DESCRIPTION
Accessories	
850-13086	IE-PowerTray/18-AC (-20°C to +70°C)
850-32088	IE-PowerTray/18-DC (-20°C to +70°C)
806-39623	AC Power Adapter

* 2 SFP modules (sold separately) are required to operate this device.
SFPs must be rated at the same speed.

IE-SFP Modules: 100 to 155 Mbps (OC-3)

PART NUMBER	PART NUMBER	PORT DESCRIPTION	FIBER	DISTANCE	POWER BUDGET (db)
W/ DDMI	W/O DDMI				
808-38101	808-38111	MM850	LC	2 km	14.5
808-38102	808-38112	MM1300	LC	2 km	11
808-38103	808-38113	SM1310	LC	20 km	21
808-38104	808-38114	SM1310/PLUS	LC	40 km	31
808-38105	808-38115	SM1550/LONG	LC	80 km	31
808-38525	808-38535	SSFX-SM1310/1550/LONG	LC	60 km	31
808-38526	808-38536	SSFX-SM1550/1310/LONG	LC	60 km	31

IE-SFP Modules: 1.25 Gbps Gigabit Ethernet (OC-24)

PART NUMBER	PART NUMBER	PORT DESCRIPTION	FIBER	DISTANCE	POWER BUDGET (db)
W/ DDMI	W/O DDMI				
808-38201	808-38211	MM850	LC	550 m	7.5
808-38202	808-38212	SM1310	LC	10 km	10.5
808-38203	808-38213	SM1310/PLUS	LC	30 km	17
808-38204	808-38214	SM1550/LONG	LC	40 km	21
808-38205	808-38215	SM1550/XLONG	LC	70 km	21
808-38225	808-38235	SSLX-SM1490/1550/LONG	SC	70 km	22
808-38226	808-38236	SSLX-SM1550/1490/LONG	SC	70 km	22

Single-fiber SFPs are also available. Visit www.imcnetworks.com or contact IMC Networks for the complete line of MSA Compliant SFPs.

IE-SFP Modules: 2.4 Gbps Gigabit Ethernet (OC-48)

PART NUMBER	PART NUMBER	PORT DESCRIPTION	FIBER	DISTANCE	POWER BUDGET (db)
W/ DDMI	W/O DDMI				
808-38301	808-38321	MM850	LC	300 m	7.5
808-38302	808-38322	SM1310	LC	2 km	8.5
808-38303	808-38323	SM1310/PLUS	LC	15 km	13
808-39304	808-38324	SM1550/LONG	LC	40 km	16

IE-SFP Modules: CWDM (155 Mbps/1.25 Gbps)

PART NUMBER		DESCRIPTION	FIBER	DISTANCE		POWER BUDGET (db)	
155 Mbps	1.25 Gbps			155 Mbps	1.25 Gbps	155 Mbps	1.25 Gbps
808-38141	808-38241	CWDM-SM1270	LC	80 km	40 km	29	22
808-38142	808-38242	CWDM-SM1290	LC	80 km	40 km	29	22
808-38143	808-38243	CWDM-SM1310	LC	80 km	40 km	29	22
808-38144	808-38244	CWDM-SM1330	LC	80 km	40 km	29	22
808-38145	808-38245	CWDM-SM1350	LC	80 km	40 km	29	22
808-38146	808-38246	CWDM-SM1370	LC	80 km	40 km	29	22
808-38147	808-38247	CWDM-SM1390	LC	80 km	40 km	29	22
808-38148	808-38248	CWDM-SM1410	LC	80 km	40 km	29	22
808-38149	808-38249	CWDM-SM1430	LC	80 km	70 km	29	22
808-38150	808-38250	CWDM-SM1450	LC	80 km	70 km	29	22
808-38151	808-38251	CWDM-SM1470	LC	80 km	70 km	29	22
808-38152	808-38252	CWDM-SM1490	LC	80 km	70 km	29	22
808-38153	808-38253	CWDM-SM1510	LC	80 km	70 km	29	22
808-38154	808-38254	CWDM-SM1530	LC	80 km	70 km	29	22
808-38155	808-38255	CWDM-SM1550	LC	80 km	70 km	29	22
808-38156	808-38256	CWDM-SM1570	LC	80 km	70 km	29	22
808-38157	808-38257	CWDM-SM1590	LC	80 km	70 km	29	22
808-38158	808-38258	CWDM-SM1610	LC	80 km	70 km	29	22



IMC Networks

Headquarters
19772 Pauling
Foothill Ranch, CA 92610
TEL: 949-465-3000
FAX: 949-465-3020
sales@imcnetworks.com

IMC Networks

Europe
Herseltsesteenweg 268
B-3200 Aarschot, Belgium
TEL: +32-16-550880
FAX: +32-16-550888
eurosales@imcnetworks.com

IMC Networks

Eastern US/Latin America
28050 U.S. Hwy. 19 North, Suite 306
Clearwater, FL 33761
TEL: 727-797-0300
FAX: 727-797-0331
latinsales@imcnetworks.com

IMC Networks

Fiber Consulting Services
For information call:
TEL: 949-465-3000
1-800-624-1070 (US/CAN)
+32-16-550880 (Europe)
fcs@imcnetworks.com

Copyright © 2010 IMC Networks. All rights reserved. The information in this document is subject to change without notice. IMC Networks assumes no responsibility for any errors that may appear in this document. Specific product names may be trademarks or registered trademarks and are the property of their respective companies.